

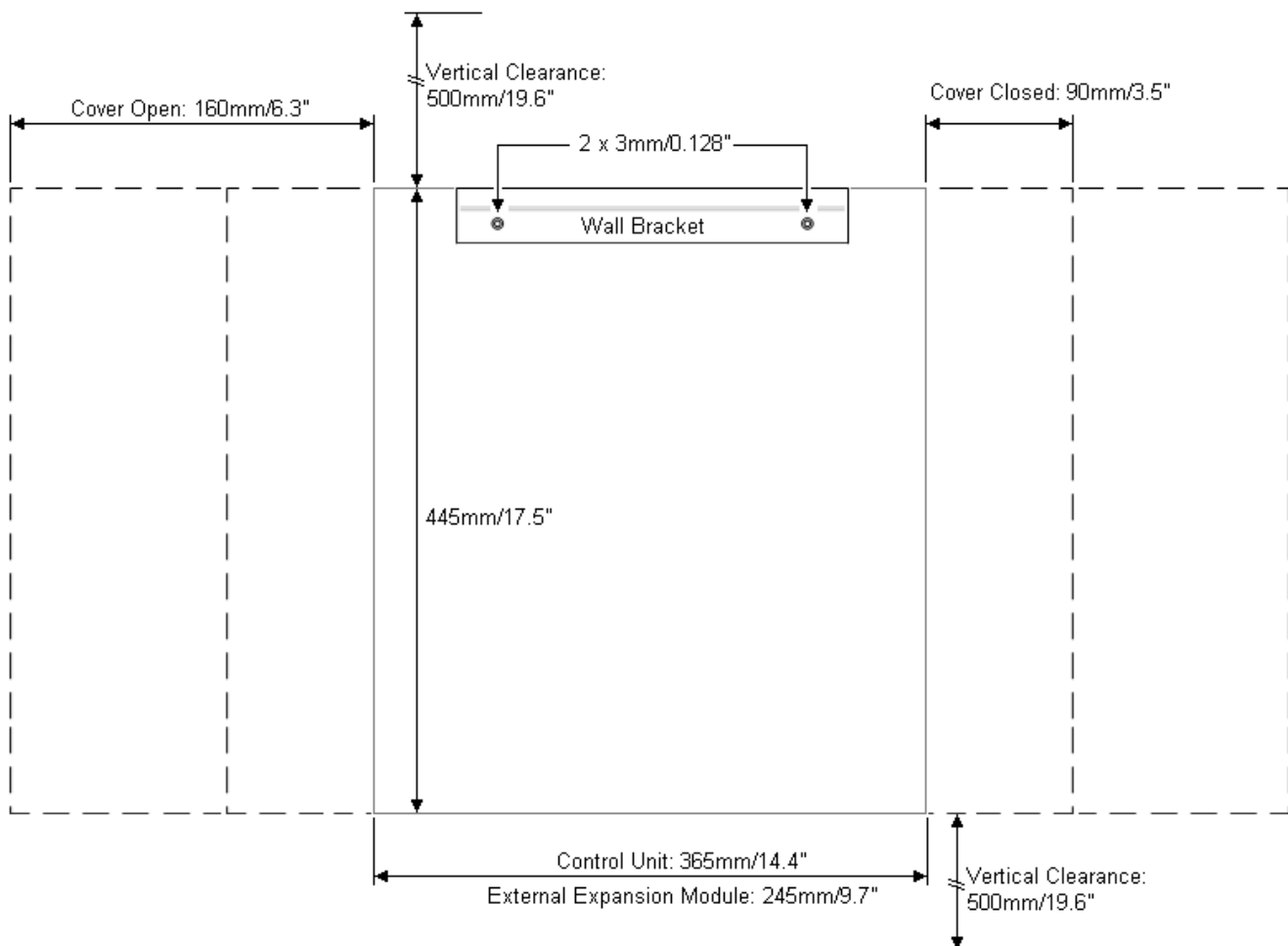
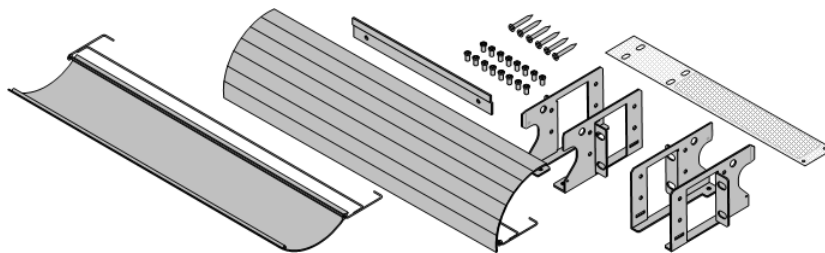
## IP500 Wall Mounting Kit

These notes relate to the IP500 Wall Mounting Kit V2 (SAP 700500923). This kit can be used to wall mount IP500 and IP500v2 control units and IP500 external expansion modules.

The kit includes all components necessary for wall mounting onto a plywood surface. The use of the cable covers is optional.

In addition to the existing environmental requirements for an IP Office system, the following additional requirements apply when wall mounting a unit:

- The wall surface must be vertical, flat and vibration free. Attachment to temporary walls is not supported.
- Only the screws provided with the mounting kit should be used to attach the brackets to the control unit.
- The installation must be done by a service person only.
- For control units, the mesh flame screen must be installed in the bottom edge of the control unit before mounting.
- Ensure that the system has been shutdown and power has been removed from all the units. Shutdown the system using a shutdown command and then remove power. Do not simply remove the power.
- If mounting a control unit, you must wait at least 15 minutes after removing the power cord before fitting the flame screen.
- A suitable mounting surface of at least 19mm (0.75 inch) plywood is required.



## Wall Mounting Process

Figure 1

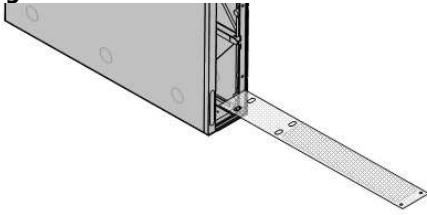


Figure 2

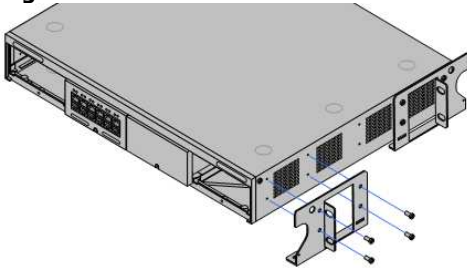


Figure 3

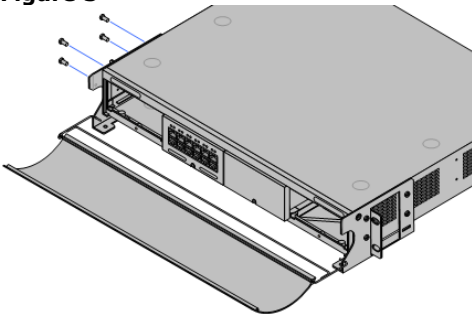


Figure 4

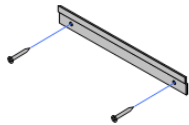


Figure 5

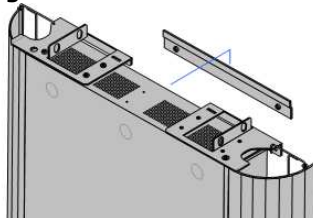
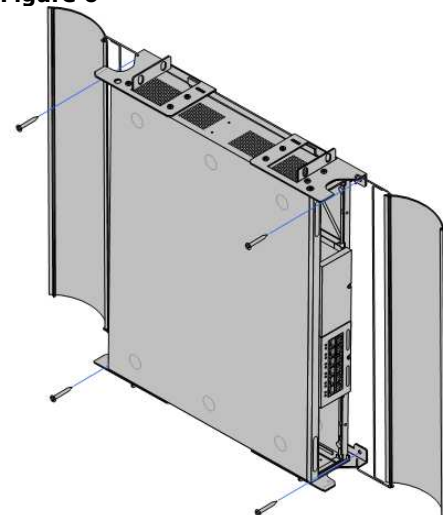


Figure 6



### 1. Shutdown the System

Ensure that the system has been shutdown and power has been removed from all the units.

- If mounting a control unit, you must wait at least 15 minutes after removing the power cord before fitting the flame screen.
- Shutdown the system using a shutdown command and then remove power. Do not simply remove the power.

### 2. Fit the Flame Screen: Mandatory - Control Units Only (See Figure 1)

- **! WARNING:** The flame screen mesh must be fitted.

- a. Remove the cards or blank slot covers from the left-hand and right-hand slots.
- b. Insert the flame screen into the bottom of the control unit, with the two black plastic pegs at the front.
- c. Press the two pegs through the air flow holes in the control unit casing.
- d. Check that the pegs have come through and have secured the flame screen in place and that the screen is flush with the chassis.

### 3. Attach Brackets on One Side (See Figure 2)

On one side of the unit, attach one pair of the metal brackets.

- Only use the screws provided with the wall mounting kit for attaching the metal brackets.

### 4. Attach the Cable Cover and Bracket (See Figure 3)

Use of the cable covers is optional. If not being used, simply attach the other pair of brackets to the other side of the unit; otherwise:

- a. Hook one of the cable covers into the leading hole of one of the metal brackets.
- b. Hook another bracket onto the other end of the cable cover and then attach that bracket to the unit.
- c. Repeat the process to attach the other cable cover to the unit.

### 5. Fit the Wall Bracket (See Figure 4)

Using 2 of the screws provided with the kit, attach the wall bracket to the plywood surface.

### 6. Place the Unit onto the Wall Bracket (See Figure 5)

Lift the unit onto the wall bracket. The two metal brackets at the top of the unit hook over the top of the wall bracket.

### 7. Attach the Unit to the Wall Panel (See Figure 6)

- a. Using the remaining 4 screws provided with the kit, fix the cover brackets to the plywood surface.
- b. Reinsert the base cards and blank slot covers.